

# Technical data sheet



## Product features

### Cooling cabinet 130 l, glass door, white

|              |                 |          |
|--------------|-----------------|----------|
| <b>Model</b> | <b>SAP Code</b> | 00018508 |
|--------------|-----------------|----------|



- Chamber volume [l]: 130
- Minimum device temperature [°C]: 0
- Maximum device temperature [°C]: 10
- Insulation thickness [mm]: 40
- Control type: Digital
- Door lock: Yes
- Opening of device: Two-sided
- Annual energy consumption [kWh]: 231

|                            |                    |                                        |       |
|----------------------------|--------------------|----------------------------------------|-------|
| <b>SAP Code</b>            | 00018508           | <b>Chamber volume [l]</b>              | 130   |
| <b>Net Width [mm]</b>      | 600                | <b>Gross Volume [m3]</b>               | 0.425 |
| <b>Net Depth [mm]</b>      | 615                | <b>Net Volume [m3]</b>                 | 0.315 |
| <b>Net Height [mm]</b>     | 855                | <b>Minimum device temperature [°C]</b> | 0     |
| <b>Net Weight [kg]</b>     | 47.00              | <b>Maximum device temperature [°C]</b> | 10    |
| <b>Power electric [kW]</b> | 0.158              | <b>Refrigerant</b>                     | R290  |
| <b>Loading</b>             | 230 V / 1N - 50 Hz | <b>Refrigerant weight [g]</b>          | 46.00 |
| <b>Energy class</b>        | B                  | <b>Climate class</b>                   | 3     |

# Technical data sheet



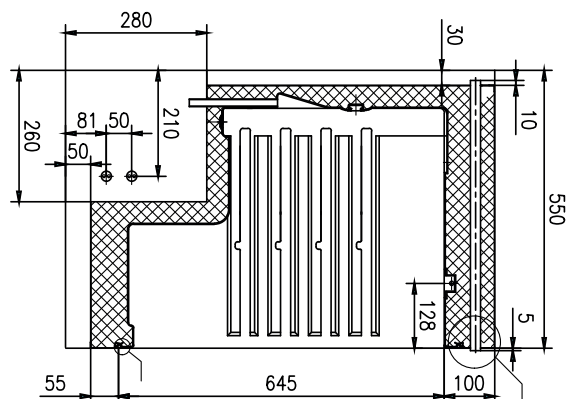
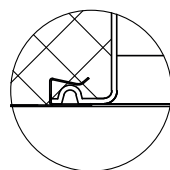
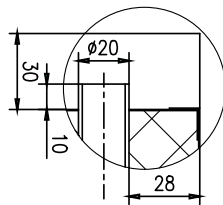
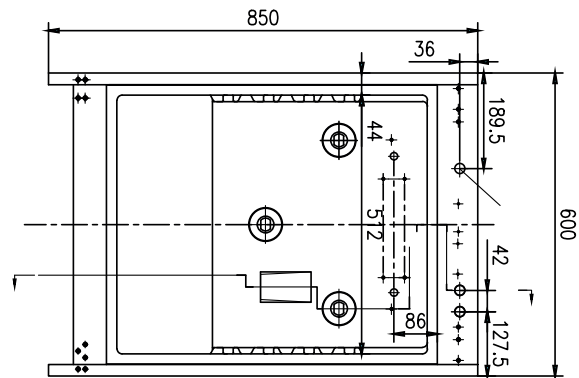
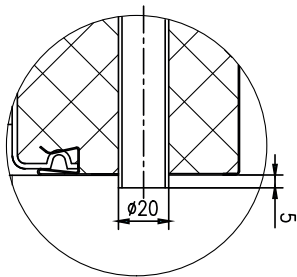
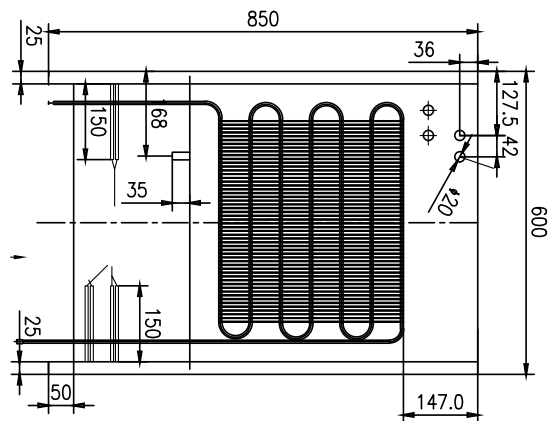
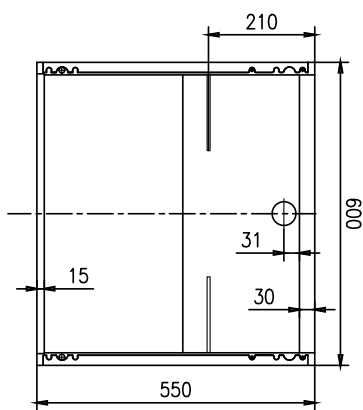
Technical drawing

Cooling cabinet 130 l, glass door, white

Model

SAP Code

00018508



# Technical data sheet



## Technical parameters

### Cooling cabinet 130 l, glass door, white

|              |                 |          |
|--------------|-----------------|----------|
| <b>Model</b> | <b>SAP Code</b> | 00018508 |
|--------------|-----------------|----------|

**1. SAP Code:**

00018508

**2. Net Width [mm]:**

600

**3. Net Depth [mm]:**

615

**4. Net Height [mm]:**

855

**5. Net Weight [kg]:**

47.00

**6. Gross Width [mm]:**

625

**7. Gross depth [mm]:**

645

**8. Gross Height [mm]:**

1055

**9. Gross Weight [kg]:**

52.00

**10. Device type:**

Electric unit

**11. Power electric [kW]:**

0.158

**12. Loading:**

230 V / 1N - 50 Hz

**13. Energy class:**

B

**14. Refrigerant:**

R290

**15. Cooling type:**

Static with fan

**16. Material:**

Lacquered sheet metal

**17. Exterior color of the device:**

White

**18. Min ambient temperature [°C]:**

10

**19. Max ambient temperature [°C]:**

43

**20. Device properties 2:**

Cooling

**21. Chamber volume [l]:**

130

**22. Gross Volume [m3]:**

0.425

**23. Net Volume [m3]:**

0.315

**24. Worktop material:**

Tin-plate

**25. Adjustable feet:**

Yes

**26. Insulation thickness [mm]:**

40

**27. Opening of device:**

Two-sided

**28. Gasket:**

Yes

# Technical data sheet



Technical parameters

## Cooling cabinet 130 l, glass door, white

Model

SAP Code

00018508

**29. Number of doors:**

1

**30. Unit:**

Yes

**31. Control type:**

Digital

**32. Door lock:**

Yes

**33. Annual energy consumption [kWh]:**

231

**34. Minimum device temperature [°C]:**

0

**35. Maximum device temperature [°C]:**

10

**36. Thaving cycle:**

Yes

**37. Refrigerant weight [g]:**

46.00

**38. Number of grids:**

3

**39. Climate class:**

3

**40. Cross-section of conductors CU [mm<sup>2</sup>]:**

0,5

- Výkon (kW): 2,4-3,3 (230 V)